
LMF / LMG Accessories



Weald
ELECTRONICS

MANUFACTURERS OF HIGH QUALITY CONNECTORS AND CONNECTOR ACCESSORIES

www.wealdelectronics.com

**LMF / LMG RANGE
ACCESSORIES
CONTENTS**

Application of Cable Entry Fittings	<u>3</u>
Ordering Information	<u>4</u>
Outlet Accessory Sets	<u>5-7</u>
Protective Caps for Aluminium Range	<u>8</u>
Protective Caps for Brass Range (Brass)	<u>9</u>
Protective Caps for Brass Range (Polythene)	<u>10</u>
Outlet Nuts	<u>11</u>
Conduit Adaptors	<u>12</u>
Tools	<u>13</u>
Wiring Instruction	<u>14-16</u>
Accessory Part Number Index	<u>17</u>
Product Safety Information	<u>18</u>

**LMF / LMG RANGE
ACCESSORIES****APPLICATION OF CABLE ENTRY FITTINGS****CABLE ENTRY FITTINGS**

To assist in ordering the correct fittings for a specific cable, pages 5 to 7 illustrate COMPLETE OUTLET ACCESSORY SETS for various sizes and types of cable. Accessory sets other than those shown on pages 5 to 7 may be supplied to order on consultation.

SEALING

Cable entry fittings ensure sound sealing provided that the correct size of recommended fittings is used with each specific cable. Sealing is effected by either the union gasket or the sealing ring at the rear end of the outlet and by the outlet gasket at the front end. It may be necessary to increase the cable diameter to effect a seal at the rear end of the outlet.

ASSEMBLING

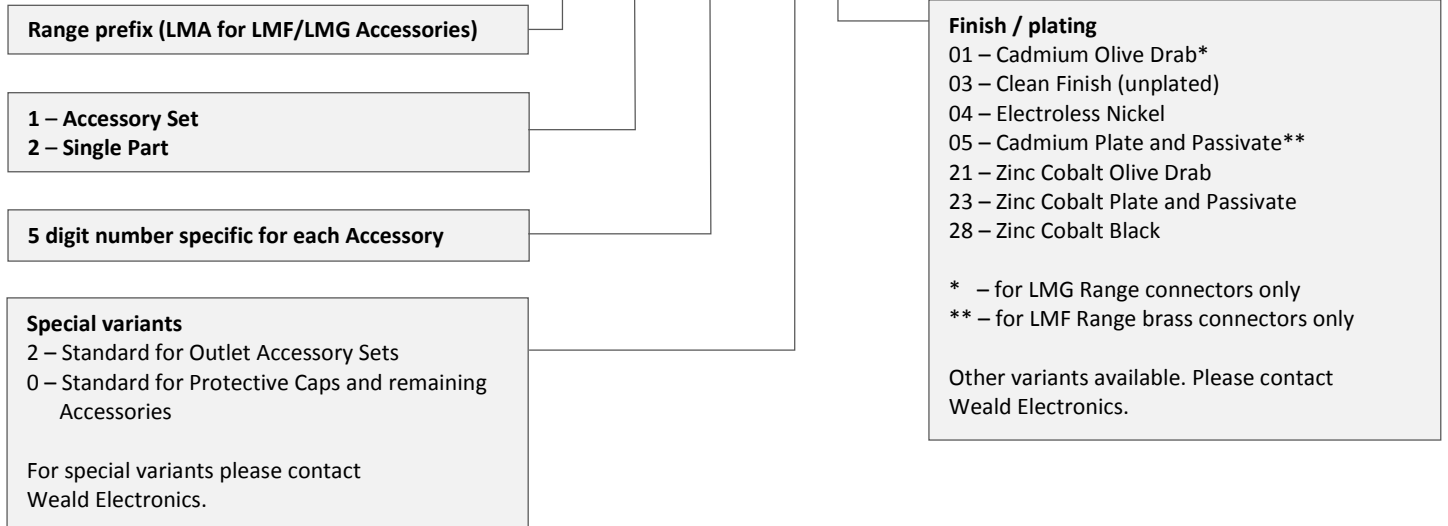
The special tools shown on page 13 should be used to tighten locking rings, outlet nuts, etc. Cable clamp jaws should be tightened sufficiently to grip the cable, but over-tightening may cause the dielectric to flow and impair its insulating qualities.

DIMENSIONS

All dimensions with the exception of Imperial threads are in millimetres and are nominal, they are derived from original Imperial dimensions.

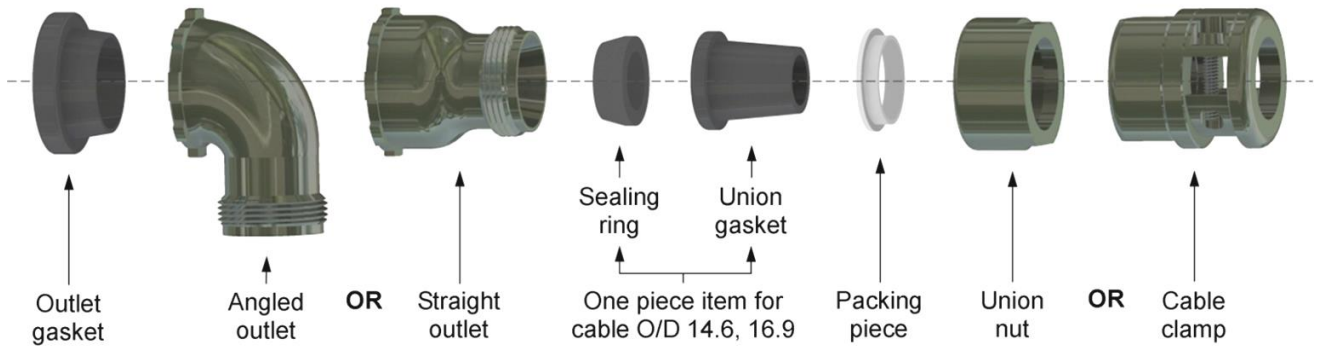
**LMF / LMG RANGE
ACCESSORIES
ORDERING INFORMATION**

EXAMPLE **LMA/1/10601/2 03**



LMF / LMG RANGE ACCESSORIES

OUTLET ACCESSORY SET FOR MULTICORE CABLE TOTALLY UNSCREENED



For assembly instruction see page 14. Where no min. cable O/D is shown, sleeve cable to max. O/D to achieve seal.

	Shell Size	Cable O/D		Outlet Accessory Set with Union Nut		Outlet Accessory Set with Cable Clamp		Code
		Min. mm	Max. mm	Straight Outlet	Rt. Angled Outlet	Straight Outlet	Rt. Angled Outlet	
ALUMINIUM	1	5.90	7.40	LMA/1/10601/2**	LMA/1/10505/2**	LMA/1/10625/2**	LMA/1/10529/2**	a
		7.50	8.90	LMA/1/10602/2**	LMA/1/10506/2**	LMA/1/10626/2**	LMA/1/10530/2**	b
		-	9.30 x 6.70	LMA/1/10603/2**	LMA/1/10507/2**	LMA/1/10627/2**	LMA/1/10531/2**	b
	2	5.90	7.40	LMA/1/10604/2**	LMA/1/10508/2**	LMA/1/10628/2**	LMA/1/10532/2**	c
		7.50	10.20	LMA/1/10605/2**	LMA/1/10509/2**	LMA/1/10629/2**	LMA/1/10533/2**	d
		8.80	11.20	LMA/1/10606/2**	LMA/1/10510/2**	LMA/1/10630/2**	LMA/1/10534/2**	e
		-	11.60	LMA/1/10607/2**	LMA/1/10511/2**	LMA/1/10631/2**	LMA/1/10535/2**	f
		-	13.10	LMA/1/10608/2**	LMA/1/10512/2**	LMA/1/10632/2**	LMA/1/10536/2**	f
		-	11.60	LMA/1/10609/2**	LMA/1/10513/2**	LMA/1/10633/2**	LMA/1/10537/2**	g
	3	-	13.10	LMA/1/10610/2**	LMA/1/10514/2**	LMA/1/10634/2**	LMA/1/10538/2**	g
		-	17.60	LMA/1/10611/2**	LMA/1/10515/2**	LMA/1/10635/2**	LMA/1/10539/2**	h
		14.60	17.40	LMA/1/30040/2**	LMA/1/30044/2**	-----	-----	h
		-	17.60	LMA/1/10612/2**	LMA/1/10516/2**	LMA/1/10636/2**	LMA/1/10540/2**	i
		14.60	17.40	LMA/1/30041/2**	LMA/1/30045/2**	-----	-----	i
		-	11.60	LMA/1/10613/2**	LMA/1/10517/2**	LMA/1/10637/2**	LMA/1/10541/2**	a
BRASS	1	5.90	7.40	LMA/1/10613/2**	LMA/1/10517/2**	LMA/1/10637/2**	LMA/1/10541/2**	a
		7.50	8.90	LMA/1/10614/2**	LMA/1/10518/2**	LMA/1/10638/2**	LMA/1/10542/2**	b
		-	9.30 x 6.70	LMA/1/10615/2**	LMA/1/10519/2**	LMA/1/10639/2**	LMA/1/10543/2**	b
	2	5.90	7.40	LMA/1/10616/2**	LMA/1/10520/2**	LMA/1/10640/2**	LMA/1/10544/2**	c
		7.50	10.20	LMA/1/10617/2**	LMA/1/10521/2**	LMA/1/10641/2**	LMA/1/10545/2**	d
		8.80	11.20	LMA/1/10618/2**	LMA/1/10522/2**	LMA/1/10642/2**	LMA/1/10546/2**	e
		-	11.60	LMA/1/10619/2**	-----	LMA/1/10643/2**	-----	f
		-	13.10	LMA/1/10620/2**	-----	LMA/1/10644/2**	-----	f
		-	11.60	LMA/1/10621/2**	LMA/1/10525/2**	LMA/1/10645/2**	LMA/1/10549/2**	g
	3	-	13.10	LMA/1/10622/2**	LMA/1/10526/2**	LMA/1/10646/2**	LMA/1/10550/2**	g
		-	17.60	LMA/1/10623/2**	LMA/1/10527/2**	LMA/1/10647/2**	LMA/1/10551/2**	h
		14.60	17.40	LMA/1/30042/2**	LMA/1/30046/2**	-----	-----	h
		-	17.60	LMA/1/10624/2**	LMA/1/10528/2**	LMA/1/10648/2**	LMA/1/10552/2**	i
		14.60	17.40	LMA/1/30043/2**	LMA/1/30047/2**	-----	-----	i
		-	11.60	LMA/1/10625/2**	LMA/1/10529/2**	LMA/1/10649/2**	LMA/1/10553/2**	g

Use this chart to select the correct outlet accessory set to suit the type and size of cable and the shell size of plug or socket being used.

** Final figures of suffix must be added to the part number when ordering:

01 – LMG Range, cadmium olive drab plate, aluminium or brass

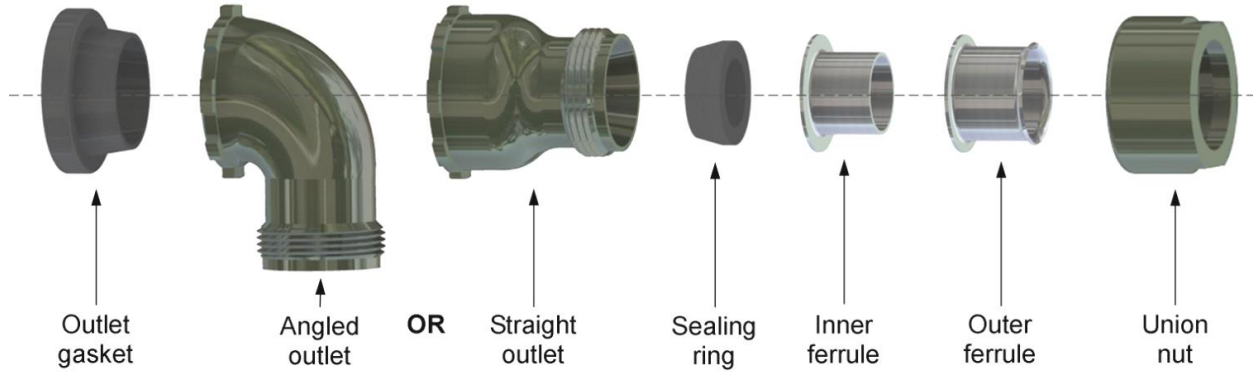
03 – LMF and LMG Range, clean finish, aluminium or brass

05 – LMF Range, cadmium plate and passivate, brass

For more plating options refer to [page 4](#)

LMF / LMG RANGE ACCESSORIES

OUTLET ACCESSORY SET FOR MULTICORE CABLE WITH OUTER COLLECTIVE SCREEN ONLY



For assembly instruction see [page 15](#).

	Shell Size	Cable O/D		Outlet Accessory Set with		Code
		Min. mm	Max. mm	Straight Outlet	Rt. Angled Outlet	
ALUMINIUM	1	7.10	9.40	LMA/1/02742/2**	LMA/1/02759/2**	a
		7.10	9.40	LMA/1/02746/2**	LMA/1/02763/2**	c
	2	9.90	11.70	LMA/1/02748/2**	LMA/1/02765/2**	d
		11.40	12.20	LMA/1/02750/2**	LMA/1/02767/2**	e
		13.50	14.60	LMA/1/02753/2**	LMA/1/02770/2**	f
		11.70	13.50	LMA/1/02754/2**	LMA/1/02771/2**	9
	3	13.50	14.60	LMA/1/02756/2**	LMA/1/02773/2**	9
		17.40	19.30	LMA/1/02757/2**	LMA/1/02774/2**	h
		17.40	19.30	LMA/1/02911/2**	LMA/1/02775/2**	i
		17.40	19.30	LMA/1/02915/2**	LMA/1/02932/2**	a
BRASS	1	7.10	9.40	LMA/1/02915/2**	LMA/1/02932/2**	a
		7.10	9.40	LMA/1/02919/2**	LMA/1/02936/2**	c
	2	9.90	11.70	LMA/1/02921/2**	LMA/1/02938/2**	d
		11.40	12.20	LMA/1/02923/2**	-----	e
		13.50	14.60	LMA/1/02926/2**	-----	f
		11.70	13.50	LMA/1/02927/2**	LMA/1/02944/2**	g
	3	13.50	14.60	LMA/1/02929/2**	LMA/1/02946/2**	g
		17.40	19.30	LMA/1/02905/2**	LMA/1/03100/2**	h
		17.40	19.30	LMA/1/02930/2**	LMA/1/02947/2**	i
		17.40	19.30	LMA/1/02930/2**	LMA/1/02947/2**	i

Use this chart to select the correct outlet accessory set to suit the type and size of cable and the shell size of plug or socket being used.

** Final figures of suffix must be added to the part number when ordering:

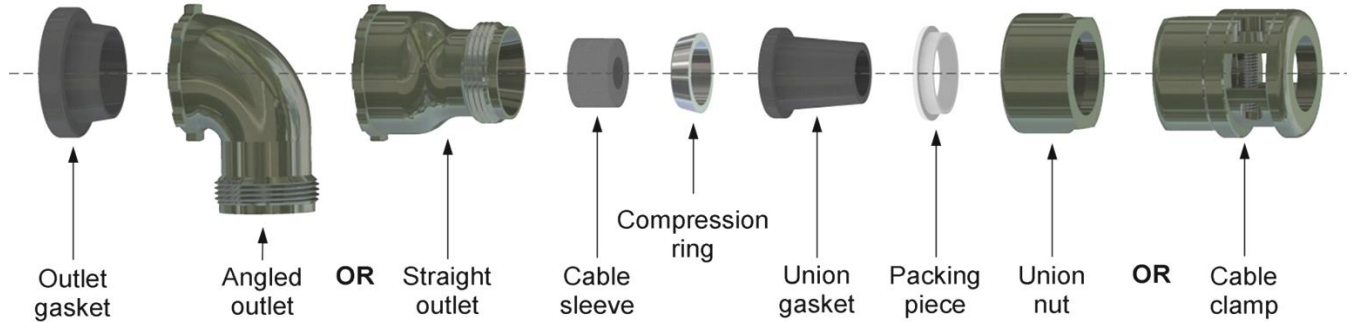
01 – LMG Range, cadmium olive drab plate, aluminium or brass
03 – LMF and LMG Range, clean finish, aluminium or brass
05 – LMF Range, cadmium plate and passivate, brass

For more plating options refer to [page 4](#)

LMF / LMG RANGE ACCESSORIES

OUTLET ACCESSORY SET

FOR MULTICORE CABLE WITH ALL INDIVIDUALLY SCREENED LEADS AND NO COLLECTIVE SCREEN OR FOR MULTICORE CABLE WITH INNER COLLECTIVE SCREEN



For assembly instruction see page 16. Where no min. cable O/D is shown, sleeve cable to max. O/D to achieve seal.

	Shell Size	Cable O/D		Outlet Accessory Set with Union Nut		Outlet Accessory Set with Cable Clamp		Code
		Min. mm	Max. mm	Straight Outlet	Rt. Angled Outlet	Straight Outlet	Rt. Angled Outlet	
ALUMINIUM	1	5.9	7.4	LMA/1/08033/2**	LMA/1/08044/2**	LMA/1/13455/2**	LMA/1/13431/2**	a
		7.5	8.9	LMA/1/08035/2**	LMA/1/08046/2**	LMA/1/13456/2**	LMA/1/13432/2**	b
		---	9.3 x 6.7	LMA/1/08034/2**	LMA/1/08045/2**	LMA/1/13457/2**	LMA/1/13433/2**	b
	2	5.9	7.4	LMA/1/08036/2**	LMA/1/08047/2**	LMA/1/13458/2**	LMA/1/13434/2**	c
		7.5	10.2	LMA/1/08037/2**	LMA/1/08048/2**	LMA/1/13459/2**	LMA/1/13435/2**	d
		8.8	11.2	LMA/1/08038/2**	LMA/1/08049/2**	LMA/1/13460/2**	LMA/1/13436/2**	e
		---	11.6	LMA/1/08039/2**	LMA/1/08050/2**	LMA/1/13461/2**	LMA/1/13437/2**	f
	3	---	13.1	LMA/1/08040/2**	LMA/1/08051/2**	LMA/1/13462/2**	LMA/1/13438/2**	f
		---	11.6	LMA/1/08041/2**	LMA/1/08052/2**	LMA/1/13463/2**	LMA/1/13439/2**	g
		---	13.1	LMA/1/08042/2**	LMA/1/08053/2**	LMA/1/13464/2**	LMA/1/13440/2**	g
		---	17.6	LMA/1/08043/2**	LMA/1/13429/2**	LMA/1/13465/2**	LMA/1/13441/2**	h
		14.6	17.4	LMA/1/30064/2**	LMA/1/30068/2**	-----	-----	h
BRASS	1	5.9	7.4	LMA/1/13492/2**	LMA/1/13467/2**	LMA/1/13504/2**	LMA/1/13480/2**	a
		7.5	8.9	LMA/1/13493/2**	LMA/1/13468/2**	LMA/1/13505/2**	LMA/1/13481/2**	b
		---	9.3 x 6.7	LMA/1/13494/2**	LMA/1/13469/2**	LMA/1/13506/2**	LMA/1/13482/2**	b
	2	5.9	7.4	LMA/1/13495/2**	LMA/1/13470/2**	LMA/1/13507/2**	LMA/1/13483/2**	c
		7.5	10.2	LMA/1/13496/2**	LMA/1/13471/2**	LMA/1/13508/2**	LMA/1/13484/2**	d
		8.8	11.2	LMA/1/13497/2**	LMA/1/13472/2**	LMA/1/13509/2**	LMA/1/13485/2**	e
		---	11.6	LMA/1/13498/2**	-----	LMA/1/13510/2**	-----	f
	3	---	13.1	LMA/1/13499/2**	-----	LMA/1/13511/2**	-----	f
		---	11.6	LMA/1/13500/2**	LMA/1/13475/2**	LMA/1/13512/2**	LMA/1/13488/2**	g
		---	13.1	LMA/1/13501/2**	LMA/1/13476/2**	LMA/1/13513/2**	LMA/1/13489/2**	g
		---	17.6	LMA/1/13502/2**	LMA/1/13477/2**	LMA/1/13514/2**	LMA/1/13490/2**	h
		14.6	17.4	LMA/1/30066/2**	LMA/1/30070/2**	-----	-----	h
---	17.6	LMA/1/13503/2**	LMA/1/13478/2**	LMA/1/13515/2**	LMA/1/13491/2**	i		
14.6	17.4	LMA/1/30067/2**	LMA/1/30071/2**	-----	-----	i		

Use this chart to select the correct outlet accessory set to suit the type and size of cable and the shell size of plug or socket being used.

** Final figures of suffix must be added to the part number when ordering:

01 – LMG Range, cadmium olive drab plate, aluminium or brass

03 – LMF and LMG Range, clean finish, aluminium or brass

05 – LMF Range, cadmium plate and passivate, brass

For more plating options refer to page 4

**LMF / LMG RANGE
ACCESSORIES**

PROTECTIVE CAPS FOR ALUMINIUM RANGE (FINE THREAD)



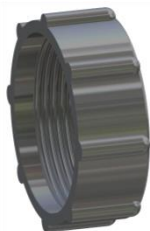
FOR FREE PLUGS OR SOCKETS		
Shell Size	Code	Part Number
1	a b	LMA/1/03437/0**
2	c d	LMA/1/03438/0**
	e f	LMA/1/03439/0**
3	g	LMA/1/03440/0**
	h i	LMA/1/03441/0**



FOR FREE COUPLER PLUGS OR SOCKETS		
Shell Size	Code	Part Number
1	a b	LMA/1/03452/0**
2	c d	LMA/1/03453/0**
	e f	LMA/1/03454/0**
3	g	LMA/1/03455/0**
	h i	LMA/1/03456/0**



FOR FIXED PLUGS OR SOCKETS	
Shell Size	Part Number
1	LMA/1/03442/0**
2	LMA/1/03443/0**
3	LMA/1/03444/0**



POLYTHENE CAP ONLY FOR FIXED PLUGS OR SOCKETS, FREE COUPLER PLUGS OR SOCKETS	
Shell Size	Part Number
1	LMA/2/41303
2	LMA/2/41304
3	LMA/2/41305

Note: All protective caps on this page are for use with aluminium connectors (fine thread) only.

** Final figures of suffix must be added to the part number when ordering:

01 – LMG Range, cadmium olive drab plate, aluminium or brass

03 – LMF and LMG Range, clean finish, aluminium or brass

For more plating options refer to [page 4](#)

**LMF / LMG RANGE
ACCESSORIES**

PROTECTIVE CAPS FOR BRASS RANGE (COARSE THREAD)



FOR FREE PLUGS OR SOCKETS		
Shell Size	Code	Part Number
1	a b	LMA/1/04111/0**
2	c d	LMA/1/04112/0**
	e f	LMA/1/04113/0**
3	g	LMA/1/04114/0**
	h i	LMA/1/04115/0**



FOR FREE COUPLER PLUGS OR SOCKETS		
Shell Size	Code	Part Number
1	a b	LMA/1/04124/0**
2	c d	LMA/1/04125/0**
	e f	LMA/1/04126/0**
3	g	LMA/1/04127/0**
	h i	LMA/1/04128/0**



FOR FIXED SQUARE FLANGE PLUGS OR SOCKETS	
Shell Size	Part Number
1	LMA/1/04116/0**
2	LMA/1/04117/0**
3	LMA/1/04118/0**



FOR FIXED ROUND FLANGE PLUGS OR SOCKETS	
Shell Size	Part Number
1	LMA/1/41208/0**
2	LMA/1/41209/0**
3	LMA/1/41210/0**

Note: All protective caps on this page are for use with brass connectors (coarse thread) only.

** Final figures of suffix must be added to the part number when ordering:

01 – LMG Range, cadmium olive drab plate, aluminium or brass

03 – LMF and LMG Range, clean finish, aluminium or brass

05 – LMF Range, cadmium plate and passivate, brass

For more plating options refer to [page 4](#)

**LMF / LMG RANGE
ACCESSORIES**

PROTECTIVE CAPS (POLYTHENE) FOR BRASS RANGE (COARSE THREAD)



FOR FREE PLUGS OR SOCKETS			
Shell Size	Code	Assembly Part Number	Polythene Cap Only
1	a b	LMA/1/41150/0**	LMA/2/41172
2	c d	LMA/1/41153/0**	LMA/2/41173
	e f	LMA/1/41151/0**	
3	g	LMA/1/41154/0**	LMA/2/41174
	h i	LMA/1/41152/0**	



FOR FREE COUPLER PLUGS OR SOCKETS			
Shell Size	Code	Assembly Part Number	Polythene Cap Only
1	a b	LMA/1/04119/0**	LMA/2/41181
2	c d	LMA/1/04120/0**	LMA/2/41182
	e f	LMA/1/04121/0**	
3	g	LMA/1/04122/0**	LMA/2/41183
	h i	LMA/1/04123/0**	



FOR FIXED SQUARE FLANGE PLUGS OR SOCKETS		
Shell Size	Assembly Part Number	Polythene Cap Only
1	LMA/1/41160/0**	LMA/2/41181
2	LMA/1/41161/0**	LMA/2/41182
3	LMA/1/41162/0**	LMA/2/41183



FOR FIXED ROUND FLANGE PLUGS OR SOCKETS		
Shell Size	Assembly Part Number	Polythene Cap Only
1	LMA/1/41198/0**	LMA/2/41181
2	LMA/1/41199/0**	LMA/2/41182
3	LMA/1/41200/0**	LMA/2/41183

Note: All protective caps on this page are for use with brass connectors (coarse thread) only.

** Final figures of suffix must be added to the part number when ordering:

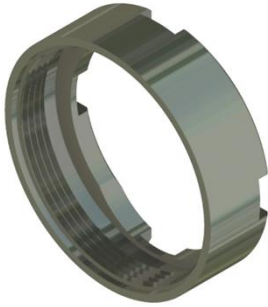
01 – LMG Range, cadmium olive drab plate, aluminium or brass

03 – LMF and LMG Range, clean finish, aluminium or brass

05 – LMF Range, cadmium plate and passivate, brass

For more plating options refer to [page 4](#)

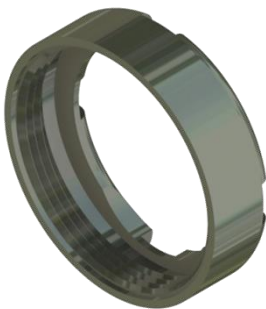
**LMF / LMG RANGE
ACCESSORIES
OUTLET NUTS**



FOR USE WITH LMF & LMG CONNECTORS ON ALUMINIUM OR BRASS FREE UNITS, BRASS FREE COUPLERS & BRASS FIXED UNITS (SQUARE FLANGE)			
Shell Size	Aluminium Part No.	Brass Part No.	Thread dia. x 26 T.P.I. B.S. 84
1	LMA/2/07519/0**	LMA/2/07569/0**	0.7969
2	LMA/2/07520/0**	LMA/2/07570/0**	1.0156
3	LMA/2/07521/0**	LMA/2/07571/0**	1.4062



FOR USE WITH LMF ALUMINIUM CONNECTORS ONLY ON FREE COUPLERS & FIXED UNITS WITH OUTLET NUT		
Shell Size	Part No.	Thread dia. x 26 T.P.I. B.S. 84
1	LMA/2/40978/0**	0.9687"
2	LMA/2/40980/0**	1.1875"
3	LMA/2/40981/0**	1.5625"



FOR USE WITH LMG CONNECTORS ONLY ON ALUMINIUM FREE COUPLERS & FIXED UNITS (ROUND FLANGE)			
Shell Size	Aluminium Part No.	Brass Part No.	Thread dia. x 26 T.P.I. B.S. 84
1	LMA/2/07531/0**	LMA/2/07157/0**	.8437"
2	LMA/2/07532/0**	LMA/2/07158/0**	1.0625"
3	LMA/2/07533/0**	LMA/2/07159/0**	1.4375"

Note:

** Final figures of suffix must be added to the part number when ordering:

01 – LMG Range, cadmium olive drab plate, aluminium or brass

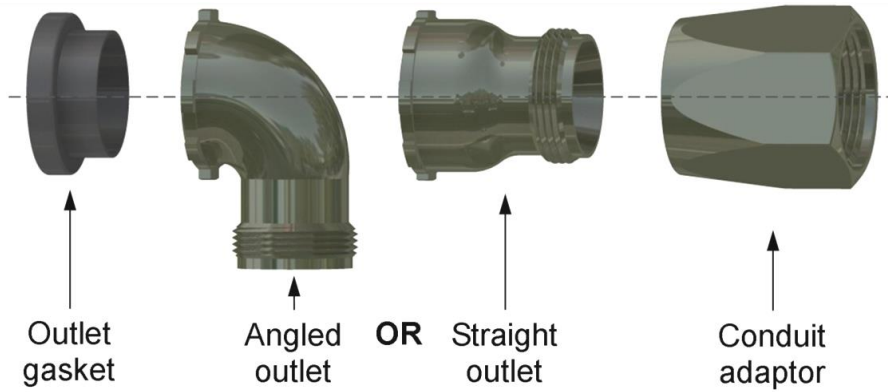
03 – LMF and LMG Range, clean finish, aluminium or brass

05 – LMF Range, cadmium plate and passivate, brass

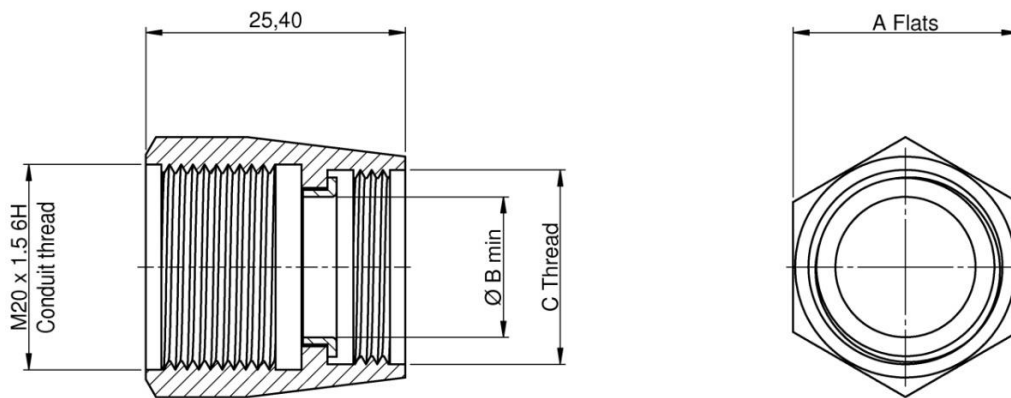
For more plating options refer to [page 4](#)

LMF / LMG RANGE ACCESSORIES CONDUIT ADAPTORS

A limited range of brass conduit adaptors which provide the facility to terminate 20mm conduit to standard LMF or LMG connectors with straight or right angled outlets.



ACCESSORY SET				
Shell Size	Cable dia. max.	Straight outlet	Right angled outlet	Code
1	11.30	LMA/1/80102/2**	LMA/1/80105/2**	b
2	13.60	LMA/1/80103/2**	LMA/1/80106/2**	e
3	15.90	LMA/1/80104/2**	LMA/1/80107/2**	g



CONDUIT ADAPTOR					
Shell Size	Part No.	A	B min.	C Thread dia. x 26TPI BS 84	Code
1	LMA/1/80099/0**	22.00	11.30	0.6406"	b
2	LMA/1/80100/0**	22.00	13.59	0.7344"	e
3	LMA/1/80101/0**	25.0	15.87	0.8437"	g

Note:

** Final figures of suffix must be added to the part number when ordering:

01 – LMG Range, cadmium olive drab plate, aluminium or brass

03 – LMF and LMG Range, clean finish, aluminium or brass

05 – LMF Range, cadmium plate and passivate, brass

For more plating options refer to [page 4](#)

**LMF / LMG RANGE
TOOLS**

**TOOLS REQUIRED FOR LOCKING CABLE ENTRY FITTINGS
AND FOR MOUNTING FIXED UNITS TO PANELS, ETC.**

COMPLETE TOOL KIT	
Description	Part No.
Complete tool kit (not in case)	LMT/1/00270
PART No. LMT/1/00270 comprises:	
Special spanner, shell size 1	LMT/2/00574
Special spanner, shell size 2	LMT/2/00575
Special spanner, shell size 3	LMT/2/00576
Tommy bar special spanner	LMT/2/00573
Bodyholder shell size 1	LMT/1/00261
Bodyholder shell size 2	LMT/1/00262
Bodyholder shell size 3	LMT/1/00263
Double-ended spanner, shell size 1	LMT/2/00564
Double-ended spanner, shell size 2	LMT/2/00565
Double-ended spanner, shell size 3	LMT/2/00566



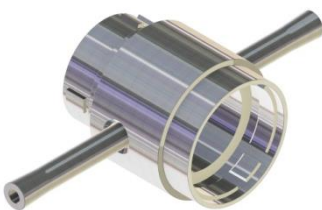
SPECIAL SPANNER (SHOWN WITH TOMMY BAR)

Used on fixed units, including bulkheads, to facilitate tightening of panel locking rings.



DOUBLE-ENDED SPANNER

Used in conjunction with body holder to facilitate tightening of outlet nuts and panel locking rings.

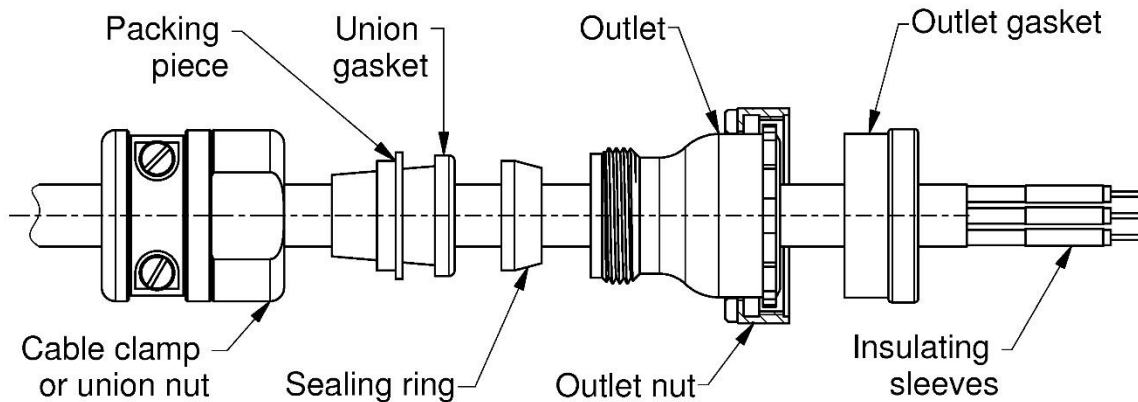


BODYHOLDER

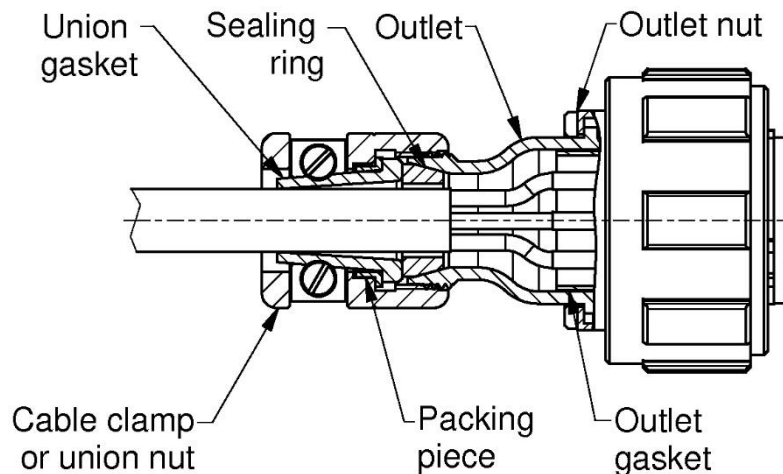
Used in conjunction with double-ended spanner - locates on front face of connectors.

LMF / LMG RANGE
WIRING INSTRUCTION
MULTICORE CABLE TOTALLY UNSCREENED

1. Strip back outer sheath.
Strip insulation from each conductor and tin dip.
Thread on to cable: union nut / cable clamp, thrust ring (or packing piece), union gasket, outlet nut, outlet and outlet gasket.
Fit insulation sleeves to conductors.



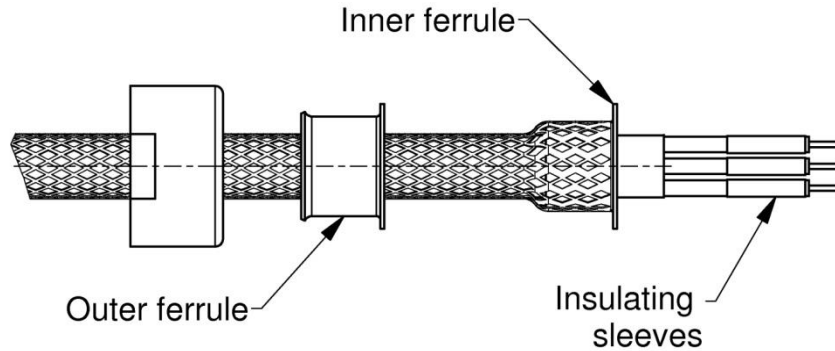
2. Solder conductors to connector contacts.
Slide insulation sleeves over solder joints.
Position outlet gasket and outlet at rear of connector and secure with outlet nut.
Slide union gasket into neck of outlet. Screw clamp on to outlet.
Secure union nut / cable clamp to cable by screwing down clamp jaw.



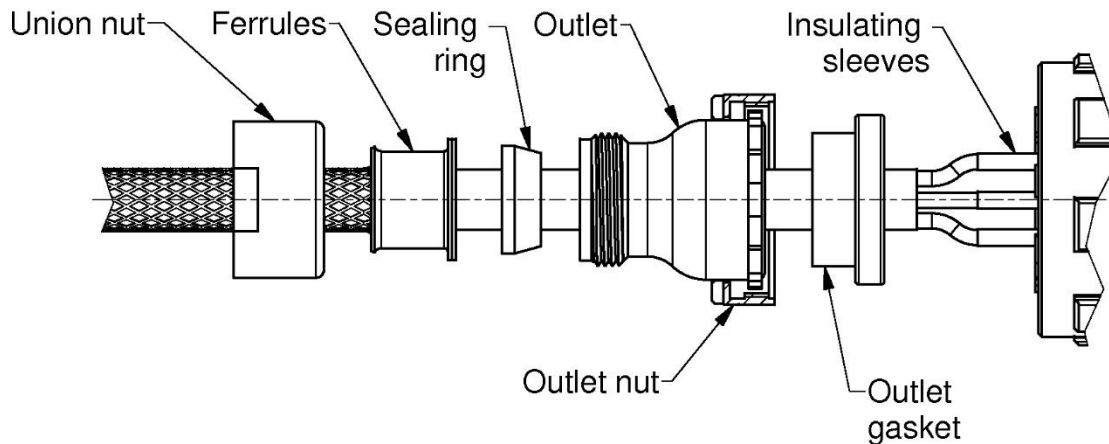
**LMF / LMG RANGE
WIRING INSTRUCTION**

MULTICORE CABLE WITH OUTER COLLECTIVE SCREEN ONLY

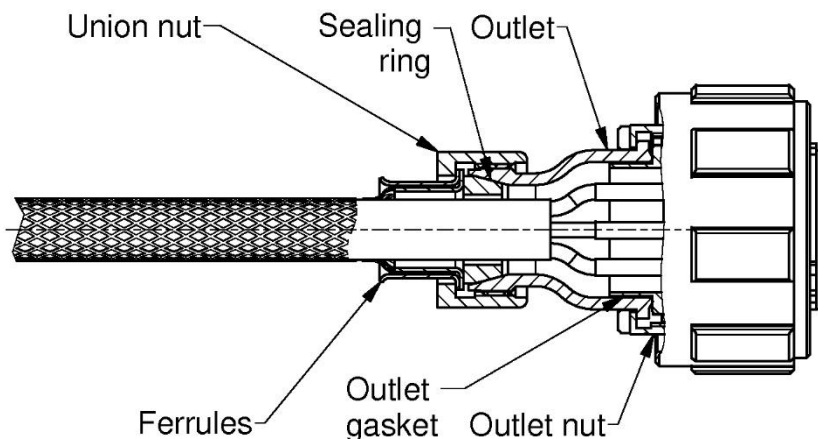
- Strip back braid and sheath.
Strip insulation from conductors and tin dip.
Thread on union nut and outer ferrule.
Thread on inner ferrule and position under braid.
Fit insulating sleeves to each conductor.



- Force outer ferrule over inner ferrule and braid.
Trim off any braid which may protrude between ferrule flanges.
Compress the braid back down cable.
Thread on sealing ring, outlet nut, outlet and outlet gasket.
Solder conductors to connector contacts and slide insulation sleeves over joints.



- Position outlet gasket and outlet at rear of connector and secure with outlet nut.
Slide sealing ring into neck of outlet.
Pull forward ferrules and braid, secure with union nut.



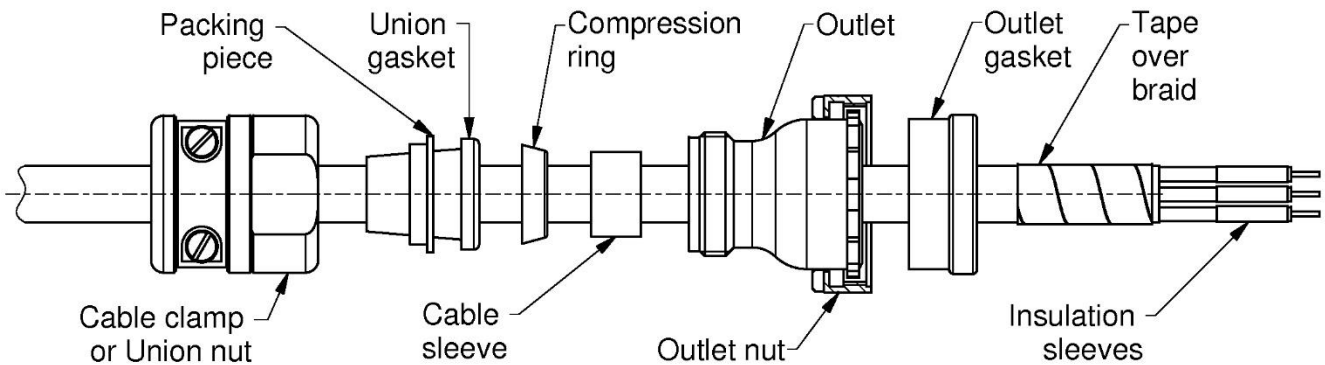
**LMF / LMG RANGE
WIRING INSTRUCTION**

MULTICORE CABLE WITH INNER COLLECTIVE SCREEN ONLY

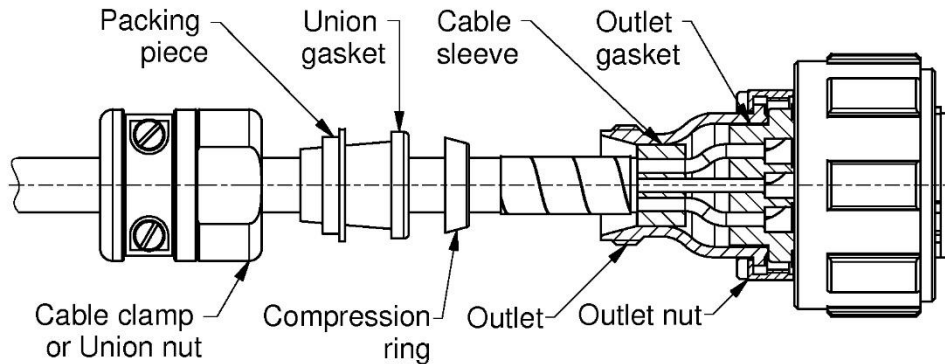
- Strip outer sheath and braid.
Thread on union nut / cable clamp, thrust ring (or packing piece), union gasket (see note), compression ring and cable sleeve. Comb out metal braid, fold back over sheath and tape down.
Strip insulation from conductors and tin dip.
Thread on outlet nut, outlet, and outlet gasket. Fit insulating sleeves to each conductor.

NOTE:

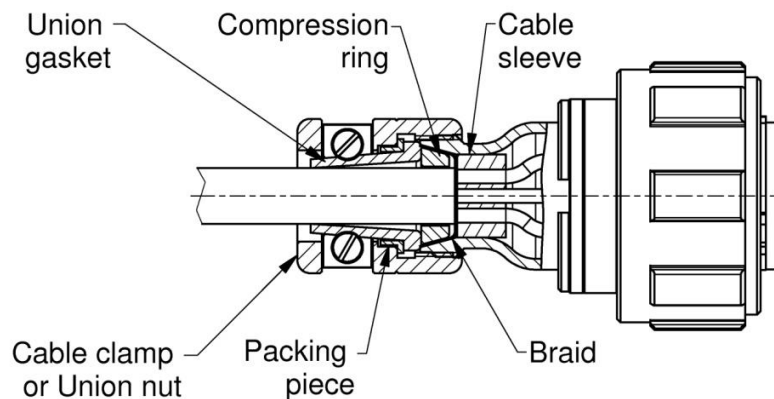
Union gasket requires to be a close fit to cable sheath. Synthetic rubber sleeve/s to be fitted to achieve a satisfactory fit.



- Solder conductors to connector contacts and slide insulating sleeves over soldered joints.
Position outlet gasket and outlet at rear of connector and secure with outlet nut.
Slide cable sleeve into neck of outlet.



- Remove tape from metal braid and fan out 90° to cable.
Position compression ring on end of outer sheath trapping braid between outlet and compressions ring.
Slide forward union gasket and thrust ring to rear of compression ring.
Trim off braid, to rear face of compression ring and screw union nut / cable clamp onto outlet.



LMF / LMG RANGE ACCESSORY PART NUMBER INDEX

Line No.	Part No.	Page No.	Line No.	Part No.	Page No.	Line No.	Part No.	Page No.	Line No.	Part No.	Page No.
1	LMA/1/02742/2**	6	85	LMA/1/08039/2**	7	169	LMA/1/10626/2**	5	253	LMA/1/13506/2**	7
2	LMA/1/02746/2**	6	86	LMA/1/08040/2**	7	170	LMA/1/10627/2**	5	254	LMA/1/13507/2**	7
3	LMA/1/02748/2**	6	87	LMA/1/08041/2**	7	171	LMA/1/10628/2**	5	255	LMA/1/13508/2**	7
4	LMA/1/02750/2**	6	88	LMA/1/08042/2**	7	172	LMA/1/10629/2**	5	256	LMA/1/13509/2**	7
5	LMA/1/02753/2**	6	89	LMA/1/08043/2**	7	173	LMA/1/10630/2**	5	257	LMA/1/13510/2**	7
6	LMA/1/02754/2**	6	90	LMA/1/08044/2**	7	174	LMA/1/10631/2**	5	258	LMA/1/13511/2**	7
7	LMA/1/02756/2**	6	91	LMA/1/08045/2**	7	175	LMA/1/10632/2**	5	259	LMA/1/13512/2**	7
8	LMA/1/02757/2**	6	92	LMA/1/08046/2**	7	176	LMA/1/10633/2**	5	260	LMA/1/13513/2**	7
9	LMA/1/02759/2**	6	93	LMA/1/08047/2**	7	177	LMA/1/10634/2**	5	261	LMA/1/13514/2**	7
10	LMA/1/02763/2**	6	94	LMA/1/08048/2**	7	178	LMA/1/10635/2**	5	262	LMA/1/13515/2**	7
11	LMA/1/02765/2**	6	95	LMA/1/08049/2**	7	179	LMA/1/10636/2**	5	263	LMA/1/30040/2**	5
12	LMA/1/02767/2**	6	96	LMA/1/08050/2**	7	180	LMA/1/10637/2**	5	264	LMA/1/30041/2**	5
13	LMA/1/02770/2**	6	97	LMA/1/08051/2**	7	181	LMA/1/10638/2**	5	265	LMA/1/30042/2**	5
14	LMA/1/02771/2**	6	98	LMA/1/08052/2**	7	182	LMA/1/10639/2**	5	266	LMA/1/30043/2**	5
15	LMA/1/02773/2**	6	99	LMA/1/08053/2**	7	183	LMA/1/10640/2**	5	267	LMA/1/30044/2**	5
16	LMA/1/02774/2**	6	100	LMA/1/10505/2**	5	184	LMA/1/10641/2**	5	268	LMA/1/30045/2**	5
17	LMA/1/02775/2**	6	101	LMA/1/10506/2**	5	185	LMA/1/10642/2**	5	269	LMA/1/30046/2**	5
18	LMA/1/02905/2**	6	102	LMA/1/10507/2**	5	186	LMA/1/10643/2**	5	270	LMA/1/30047/2**	5
19	LMA/1/02911/2**	6	103	LMA/1/10508/2**	5	187	LMA/1/10644/2**	5	271	LMA/1/30064/2**	7
20	LMA/1/02915/2**	6	104	LMA/1/10509/2**	5	188	LMA/1/10645/2**	5	272	LMA/1/30065/2**	7
21	LMA/1/02919/2**	6	105	LMA/1/10510/2**	5	189	LMA/1/10646/2**	5	273	LMA/1/30066/2**	7
22	LMA/1/02921/2**	6	106	LMA/1/10511/2**	5	190	LMA/1/10647/2**	5	274	LMA/1/30067/2**	7
23	LMA/1/02923/2**	6	107	LMA/1/10512/2**	5	191	LMA/1/10648/2**	5	275	LMA/1/30068/2**	7
24	LMA/1/02926/2**	6	108	LMA/1/10513/2**	5	192	LMA/1/13429/2**	7	276	LMA/1/30069/2**	7
25	LMA/1/02927/2**	6	109	LMA/1/10514/2**	5	193	LMA/1/13430/2**	7	277	LMA/1/30070/2**	7
26	LMA/1/02929/2**	6	110	LMA/1/10515/2**	5	194	LMA/1/13431/2**	7	278	LMA/1/30071/2**	7
27	LMA/1/02930/2**	6	111	LMA/1/10516/2**	5	195	LMA/1/13432/2**	7	279	LMA/2/40978/003	11
28	LMA/1/02932/2**	6	112	LMA/1/10517/2**	5	196	LMA/1/13433/2**	7	280	LMA/2/40980/003	11
29	LMA/1/02936/2**	6	113	LMA/1/10518/2**	5	197	LMA/1/13434/2**	7	281	LMA/2/40981/003	11
30	LMA/1/02938/2**	6	114	LMA/1/10519/2**	5	198	LMA/1/13435/2**	7	282	LMA/1/41150/00*	10
31	LMA/1/02944/2**	6	115	LMA/1/10520/2**	5	199	LMA/1/13436/2**	7	283	LMA/1/41151/00*	10
32	LMA/1/02946/2**	6	116	LMA/1/10521/2**	5	200	LMA/1/13437/2**	7	284	LMA/1/41152/00*	10
33	LMA/1/02947/2**	6	117	LMA/1/10522/2**	5	201	LMA/1/13438/2**	7	285	LMA/1/41153/00*	10
34	LMA/1/03100/2**	6	118	LMA/1/10525/2**	5	202	LMA/1/13439/2**	7	286	LMA/1/41154/00*	10
35	LMA/1/03437/2**	8	119	LMA/1/10526/2**	5	203	LMA/1/13440/2**	7	287	LMA/1/41160/00*	10
36	LMA/1/03438/2**	8	120	LMA/1/10527/2**	5	204	LMA/1/13441/2**	7	288	LMA/1/41161/00*	10
37	LMA/1/03439/2**	8	121	LMA/1/10528/2**	5	205	LMA/1/13442/2**	7	289	LMA/1/41162/00*	10
38	LMA/1/03440/2**	8	122	LMA/1/10529/2**	5	206	LMA/1/13454/2**	7	290	LMA/2/41172	10
39	LMA/1/03441/2**	8	123	LMA/1/10530/2**	5	207	LMA/1/13455/2**	7	291	LMA/2/41173	10
40	LMA/1/03442/2**	8	124	LMA/1/10531/2**	5	208	LMA/1/13456/2**	7	292	LMA/2/41174	10
41	LMA/1/03443/2**	8	125	LMA/1/10532/2**	5	209	LMA/1/13457/2**	7	293	LMA/2/41181	10
42	LMA/1/03444/2**	8	126	LMA/1/10533/2**	5	210	LMA/1/13458/2**	7	294	LMA/2/41182	10
43	LMA/1/03440/2**	8	127	LMA/1/10534/2**	5	211	LMA/1/13459/2**	7	295	LMA/2/41183	10
44	LMA/1/03452/2**	8	128	LMA/1/10535/2**	5	212	LMA/1/13460/2**	7	296	LMA/1/41198/00*	10
45	LMA/1/03453/2**	8	129	LMA/1/10536/2**	5	213	LMA/1/13461/2**	7	297	LMA/1/41199/00*	10
46	LMA/1/03454/2**	8	130	LMA/1/10537/2**	5	214	LMA/1/13462/2**	7	298	LMA/1/41200/00*	10
47	LMA/1/03455/2**	8	131	LMA/1/10538/2**	5	215	LMA/1/13463/2**	7	299	LMA/1/41208/00*	9
48	LMA/1/03456/2**	8	132	LMA/1/10539/2**	5	216	LMA/1/13464/2**	7	300	LMA/1/41209/00*	9
49	LMA/1/04111/00*	9	133	LMA/1/10540/2**	5	217	LMA/1/13465/2**	7	301	LMA/1/41210/00*	9
50	LMA/1/04112/00*	9	134	LMA/1/10541/2**	5	218	LMA/1/13466/2**	7	302	LMA/2/41303	8
51	LMA/1/04113/00*	9	135	LMA/1/10542/2**	5	219	LMA/1/13467/2**	7	303	LMA/2/41304	8
52	LMA/1/04114/00*	9	136	LMA/1/10543/2**	5	220	LMA/1/13468/2**	7	304	LMA/2/41305	8
53	LMA/1/04115/00*	9	137	LMA/1/10544/2**	5	221	LMA/1/13469/2**	7	305	LMA/1/80099/00*	12
54	LMA/1/04116/00*	9	138	LMA/1/10545/2**	5	222	LMA/1/13470/2**	7	306	LMA/1/80100/00*	12
55	LMA/1/04117/00*	9	139	LMA/1/10546/2**	5	223	LMA/1/13471/2**	7	307	LMA/1/80101/00*	12
56	LMA/1/04118/00*	9	140	LMA/1/10549/2**	5	224	LMA/1/13472/2**	7	308	LMA/1/80102/2**	12
57	LMA/1/04119/00*	10	141	LMA/1/10550/2**	5	225	LMA/1/13475/2**	7	309	LMA/1/80103/2**	12
58	LMA/1/04120/00*	10	142	LMA/1/10551/2**	5	226	LMA/1/13476/2**	7	310	LMA/1/80104/2**	12
59	LMA/1/04121/00*	10	143	LMA/1/10552/2**	5	227	LMA/1/13477/2**	7	311	LMA/1/80105/2**	12
60	LMA/1/04122/00*	10	144	LMA/1/10601/2**	5	228	LMA/1/13478/2**	7	312	LMA/1/80106/2**	12
61	LMA/1/04123/00*	10	145	LMA/1/10602/2**	5	229	LMA/1/13480/2**	7	313	LMA/1/80107/2**	12
62	LMA/1/04124/00*	9	146	LMA/1/10603/2**	5	230	LMA/1/13481/2**	7	314	LMT/1/00261	13
63	LMA/1/04125/00*	9	147	LMA/1/10604/2**	5	231	LMA/1/13482/2**	7	315	LMT/1/00262	13
64	LMA/1/04126/00*	9	148	LMA/1/10605/2**	5	232	LMA/1/13483/2**	7	316	LMT/1/00263	13
65	LMA/1/04127/00*	9	149	LMA/1/10606/2**	5	233	LMA/1/13484/2**	7	317	LMT/1/00270	13
66	LMA/1/04128/00*	9	150	LMA/1/10607/2**	5	234	LMA/1/13485/2**	7	318	LMT/2/00564	13
67	LMA/2/07157/00*	11	151	LMA/1/10608/2**	5	235	LMA/1/13488/2**	7	319	LMT/2/00565	13
68	LMA/2/07158/00*	11	152	LMA/1/10609/2**	5	236	LMA/1/13489/2**	7	320	LMT/2/00566	13
69	LMA/2/07159/00*	11	153	LMA/1/10610/2**	5	237	LMA/1/13490/2**	7	321	LMT/2/00574	13
70	LMA/2/07519/00*	11	154	LMA/1/10611/2**	5	238	LMA/1/13491/2**	7	322	LMT/2/00575	13
71	LMA/2/07520/00*	11	155	LMA/1/10612/2**	5	239	LMA/1/13492/2**	7	323	LMT2/00576	13
72	LMA/2/07521/00*	11	156	LMA/1/10613/2**	5	240	LMA/1/13493/2**	7			
73	LMA/2/07530/00*	11	157	LMA/1/10614/2**	5	241	LMA/1/13494/2**	7			
74	LMA/2/07532/00*	11	158	LMA/1/10615/2**	5	242	LMA/1/13495/2**	7			
75	LMA/2/07533/00*	11	159	LMA/1/10616/2**	5	243	LMA/1/13496/2**	7			
76	LMA/2/07569/00*	11	160	LMA/1/10617/2**	5	244	LMA/1/13497/2**	7			
77	LMA/2/07570/00*	11	161	LMA/1/10618/2**	5	245	LMA/1/13498/2**	7			
78	LMA/2/07571/00*	11	162	LMA/1/10619/2**	5	246	LMA/1/13499/2**	7			
79	LMA/1/08033/2**	7	163	LMA/1/10620/2**	5	247	LMA/1/13500/2**	7			
80	LMA/1/08034/2**	7	164	LMA/1/10621/2**	5	248	LMA/1/13501/2**	7			
81	LMA/1/08035/2**	7	165	LMA/1/10622/2**	5	249	LMA/1/13502/2**	7			
82	LMA/1/08036/2**	7	166	LMA/1/10623/2**	5	250	LMA/1/13503/2**	7			
83	LMA/1/08037/2**	7	167	LMA/1/10624/2**	5	251	LMA/1/13504/2**	7			
84	LMA/1/08038/2**	7	168	LMA/1/10625/2**	5	252	LMA/1/13505/2**	7			

Popular assemblies only listed. For other assemblies please contact Sales.

LMF / LMG RANGE

PRODUCT SAFETY INFORMATION

These notes are intended to be used in conjunction with the Product Catalogue and Product Specification. Products may be safely used in the applications for which they have been designed and within the specified rating and environments. If products are exposed to conditions outside the performance ratings or specified environments they may constitute a hazard. In particular it should be noted that:-

1. Material Content

Circular Connectors generally use metalwork parts made of brass, aluminium, phosphor-bronze or steel, which, dependant on the particular application, may be passivated and protected with cadmium or zinc plate – in conjunction with chromated or anodised surface finishes. The insulating materials can either be natural or synthetic rubber, together with plastic or glass-filled plastic moulded parts. Contact materials vary but are usually made of brass, phosphor-bronze, alumel or chromel.

2. Electric Shock, Burns and Fire

Hazard can occur if the product is used outside the specified parameters or if the product is damaged, wrongly wired, poorly assembled, poorly integrated into larger equipments, or contaminated with conductive fluids. Live circuit terminations must be protected and live circuits never broken by disconnecting products.

Hot spots may be created when resistance is increased due to damage or incorrect integration particularly soldering, or loose terminations. Overheating can cause breakdown of insulation, electric shock, burns or, ultimately, fire. In the event of fire noxious and/or toxic fumes may be released and, in these circumstances, any fire involving the product should be dealt with by personnel properly equipped. Connectors with exposed terminations or contacts should not be used on the current supply side of a circuit with exposed contacts on an unmated product. Before making a circuit live, the product and wiring should be checked to ensure there is no electrically conducting debris present. Circuit resistance checks should also be conducted before making the circuit live. Always ensure that connectors are assembled and wired by properly trained personnel.

3. Use, Transport and Storage of Products

Care must be exercised to avoid damage to any part of the products during transporting, storage or use. Abnormal transit or storage conditions and abuse during installation can give rise to damage. Products should not be used in a damaged condition.

Improper storage (particularly of damaged products) can give rise to additional hazards particularly corrosion. Attention is specifically drawn to the need for proper storage of products containing cadmium and you are advised to see the Guidance Note from the Health and safety Executive on Cadmium – Health and Safety Precautions.

4. Disposal of Products

Product should not be burnt.

SAFETY RULES

1. FOLLOW THE GUIDELINES GIVEN.
2. ALWAYS PROTECT LIVE CIRCUITS AND NEVER DISCONNECT A LIVE CONNECTOR.
3. NEVER USE A DAMAGED CONNECTOR.
4. NEVER BURN DISCARDED CONNECTORS.